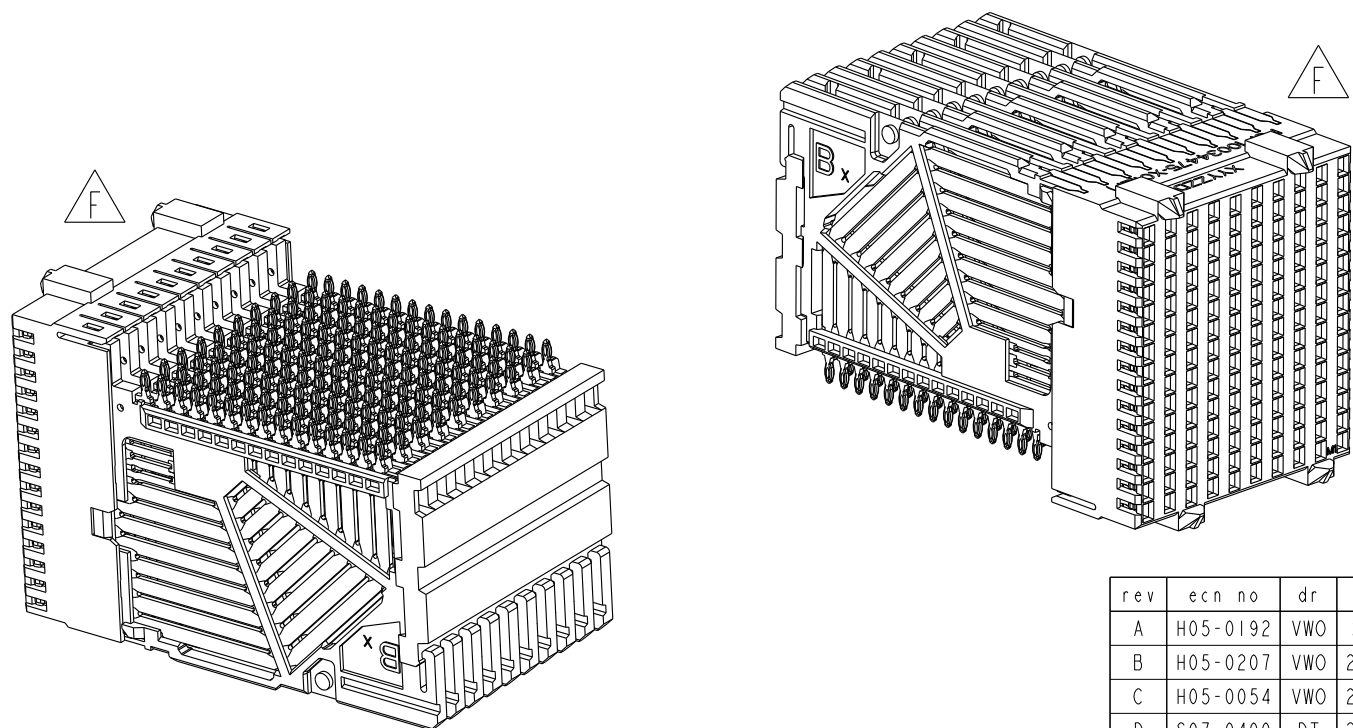
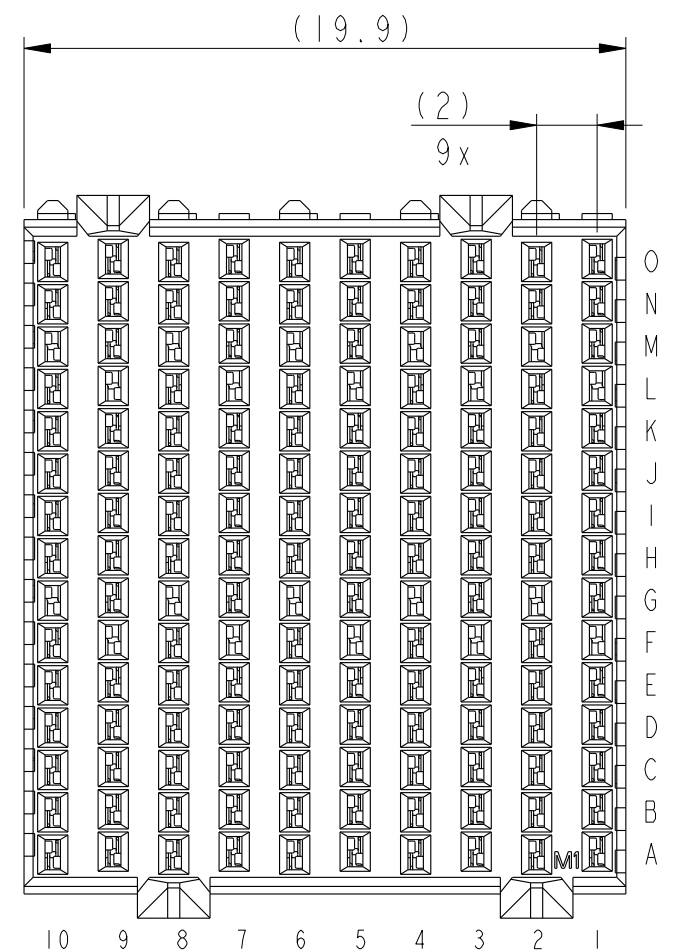
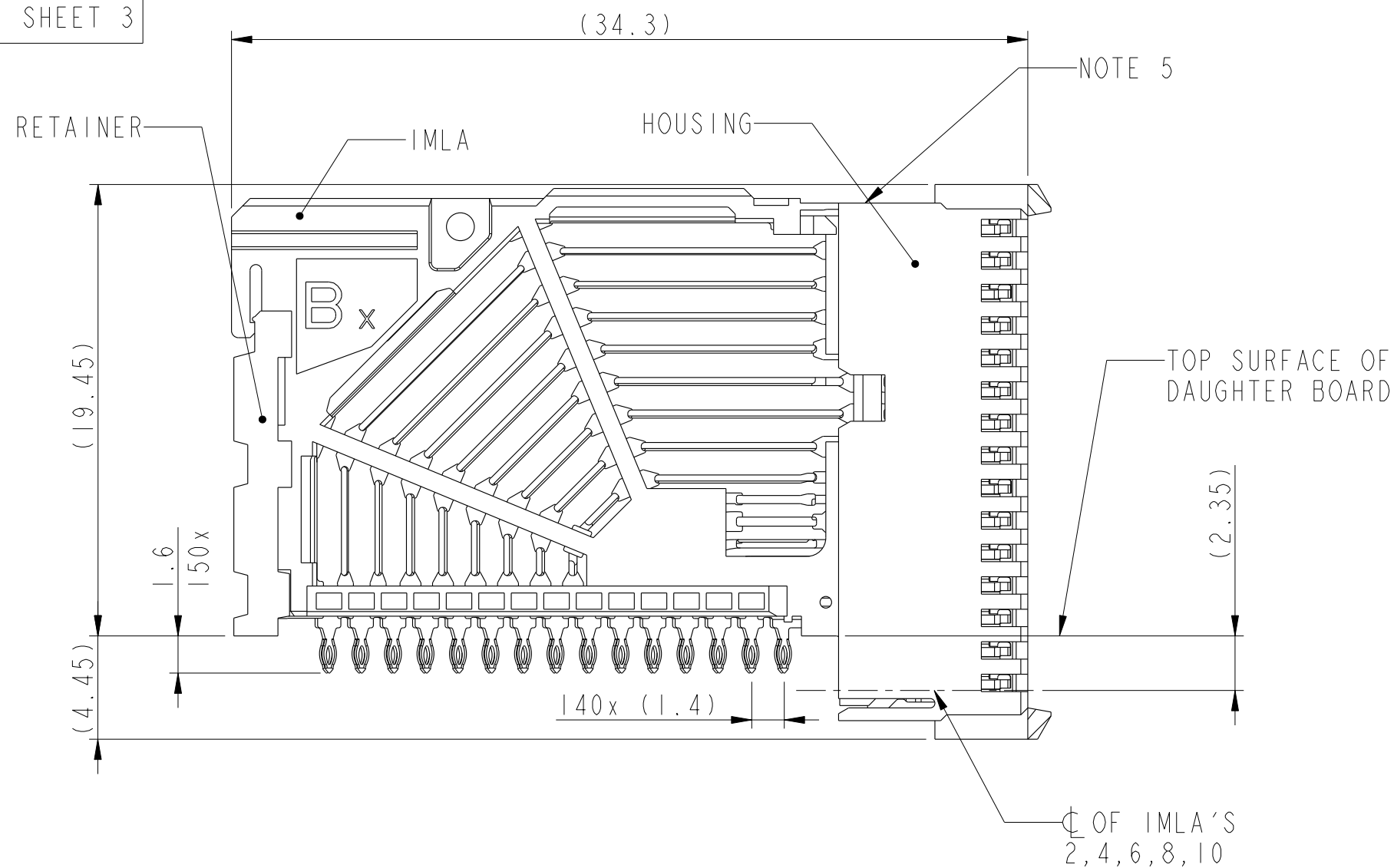


Product-number
SEE TABLE, SHEET 3



rev	ecn no	dr	date
A	H05-0192	VWO	2005-08-23
B	H05-0207	VWO	2005-09-06
C	H05-0054	VWO	2006-04-07
D	S07-0400	DT	2007-11-06
E	S08-0036	LS	2008-02-13
F	S08-0252	LS	2008-07-31
-	-	-	-

www.fciconnect.com		surface ASME Y14.5	tolerance std ASME Y14.5	projection ASME Y14.5	mm
TOLERANCES UNLESS OTHERWISE SPECIFIED					
Dr	H v Woensel	2004-10-02	ANGULAR	0.X	±
Eng	L.S NGWE	2008-07-31	LINEAR	0.XX	±
Chr	L.S NGWE	2008-07-31	0° ±°	0.XXX	±
Appr	JOEY NG	2008-07-31	Product family	-	Spec ref
Title			AirMax VS R.A. Receipt		Rev.
catalog no			-		F
dwg no			10034475		sheet 1 of 3
CUSTOMER			-		

A

B

C

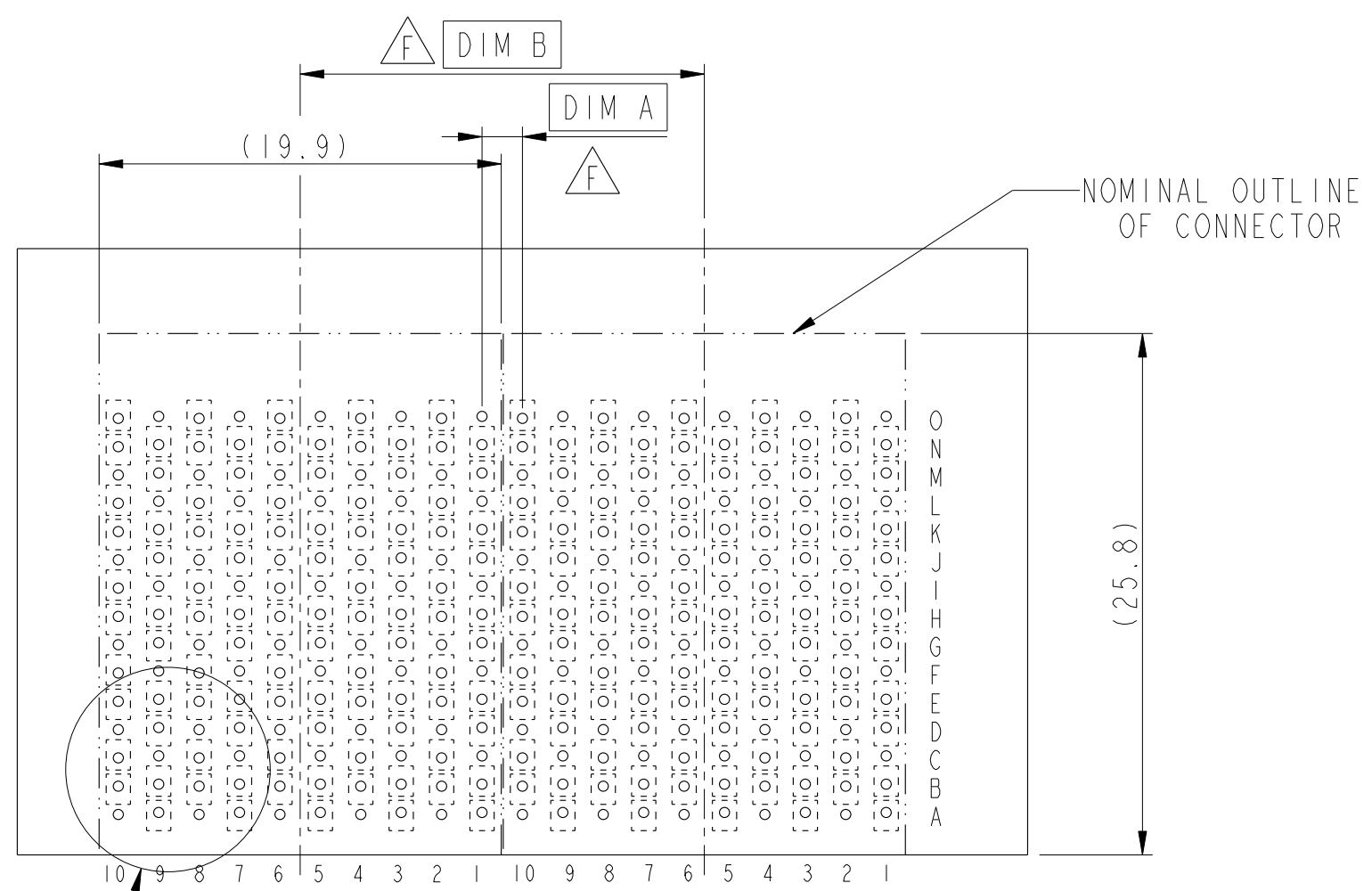
D

A

B

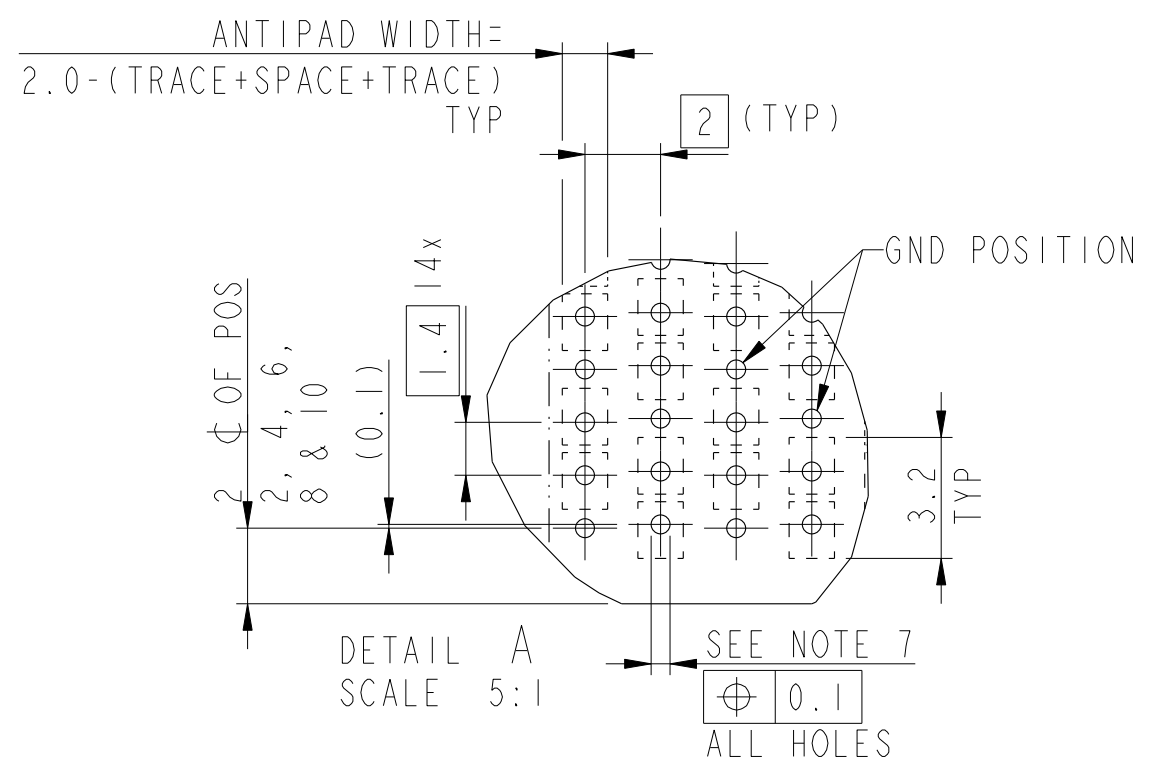
C

D



SEE DETAIL A

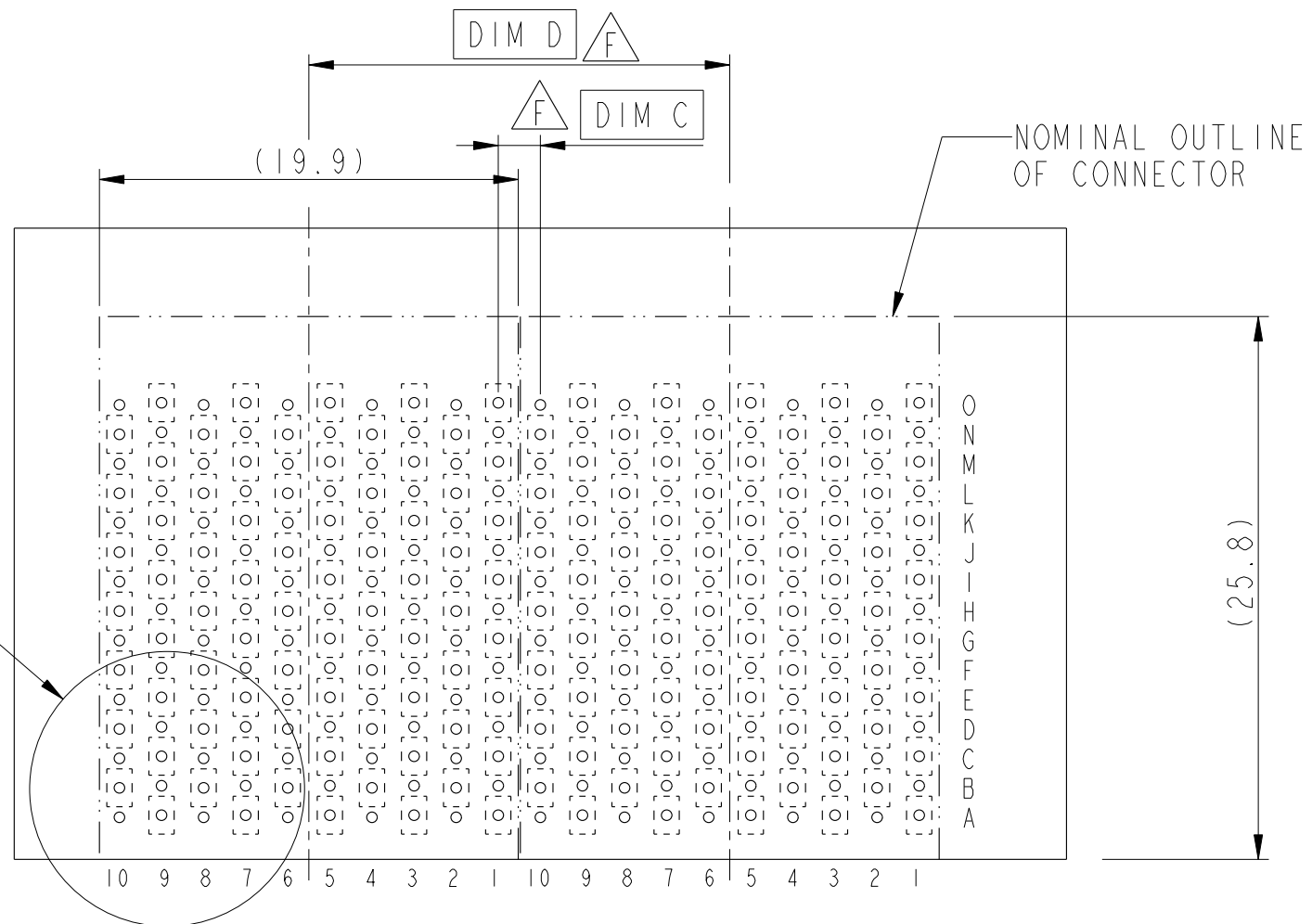
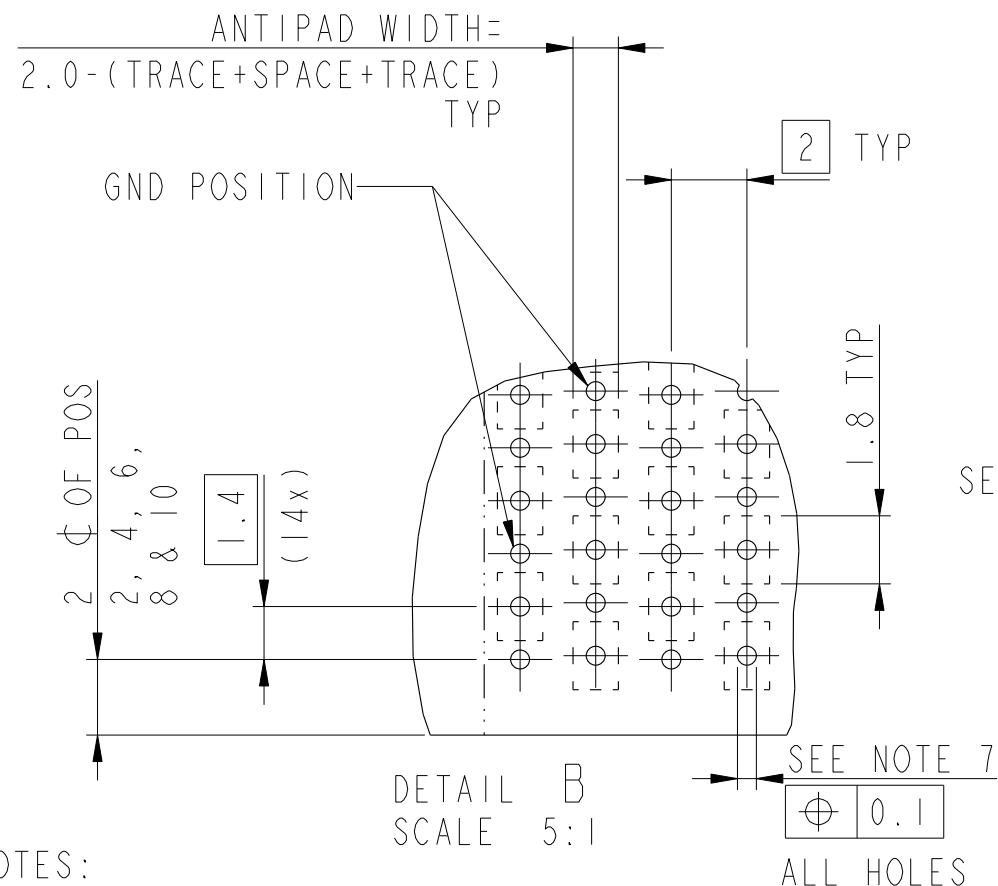
RECOMMENDED PCB LAYOUT FOR DIFFERENTIAL APPLICATIONS COMPONENT SIDE (TWO ADJACENT FOOTPRINTS SHOWN)



	F	
	DIM A	DIM B
ADJACENT HEADER WIDTH		
20MM/20MM	2MM	20MM
20MM/22MM	3MM	21MM
22MM/22MM	4MM	22MM

	Title AirMax VS R.A. Receipt Ass'y, 5 pair, 150pos, 2mm, 101MLA	dwg no 10034475	Rev. F
	catalog no -	CUSTOMER	sheet 2 of 3

PART NUMBER	PRESS FIT TAIL PLATING TYPE
10034475-101	TIN/LEAD ALLOY OVER NICKEL
10034475-101LF	LEAD FREE



RECOMMENDED PCB LAYOUT FOR SINGLE ENDED APPLICATIONS COMPONENT SIDE (TWO ADJACENT FOOTPRINTS SHOWN)

NOTES:

- CONNECTOR MATERIALS:
HOUSING & RETAINER: HIGH TEMP THERMOPLASTIC, NATURAL, UL94V-0
IMLA PLASTIC: HIGH TEMP PLASTIC, BLACK, UL94V-0
CONTACT: COPPER ALLOY.
- CONTACT PLATING:
SEPARABLE INTERFACE: GOLD OVER NICKEL
PRESS-FIT TAILS: SEE TABLE
- PRODUCT SPECIFICATION: GS-12-239
- APPLICATION SPECIFICATION: GS-20-035
- PRODUCT MARKING, (PARTNUMBER & LOT CODE), ON THIS SURFACE
- THERE IS NO GROUND BUSSING WITHIN THE CONNECTOR SYSTEM.
- SEE CUSTOMER DRAWING 10045979 FOR INFORMATION ON PCB HOLE DIAMETER AND PLATING OPTIONS
- THIS PRODUCT MEETS EUROPEAN UNION DIRECTIVES AND OTHER COUNTRY REGULATIONS AS DESCRIBED IN GS-22-008.
- THE HOUSING WILL WITHSTAND EXPOSURE TO 260 °C PEAK TEMPERATURE FOR 40 SECONDS IN A CONVECTION, INFRA-RED OR VAPOR PHASE REFLOW OVEN.
- PACKAGE MEETS GS-14-920 LEAD FREE LABELLING SPEC.
- A $\triangle F$ SYMBOL WILL BE NEXT TO ANY DIMENSION, VIEW, OR NOTE WHICH HAS BEEN MODIFIED WITH THE CURRENT DRAWING REVISION.

ADJACENT HEADER WIDTH	DIM C	DIM D
20MM/20MM	2MM	20MM
20MM/22MM	3MM	21MM
22MM/22MM	4MM	22MM

FCj	Title	AirMax VS R.A. Receipt	dwg no	10034475	Rev.	F
	Ass'y	5 pair, 150pos, 2mm, 10IMLA				
catalog no			CUSTOMER		sheet 3 of 3	